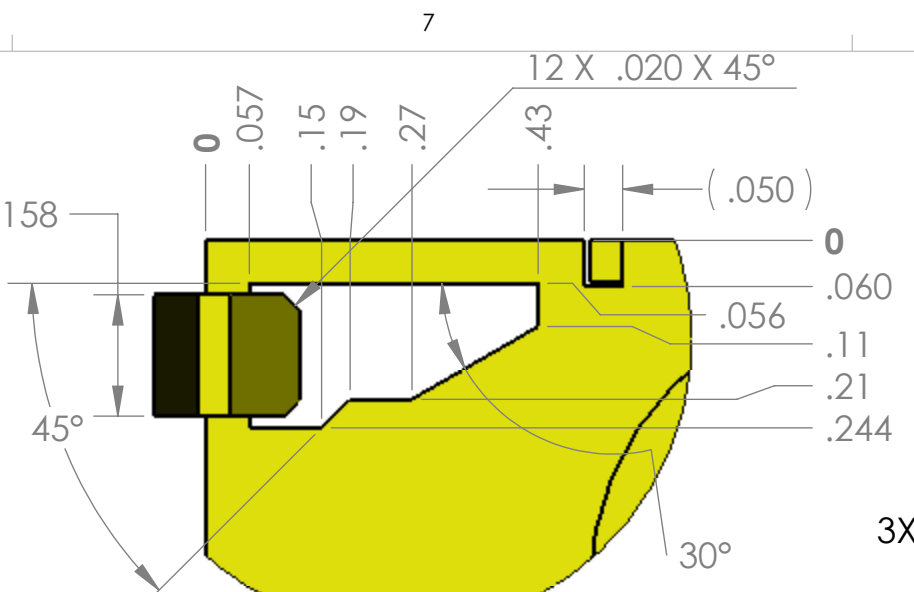
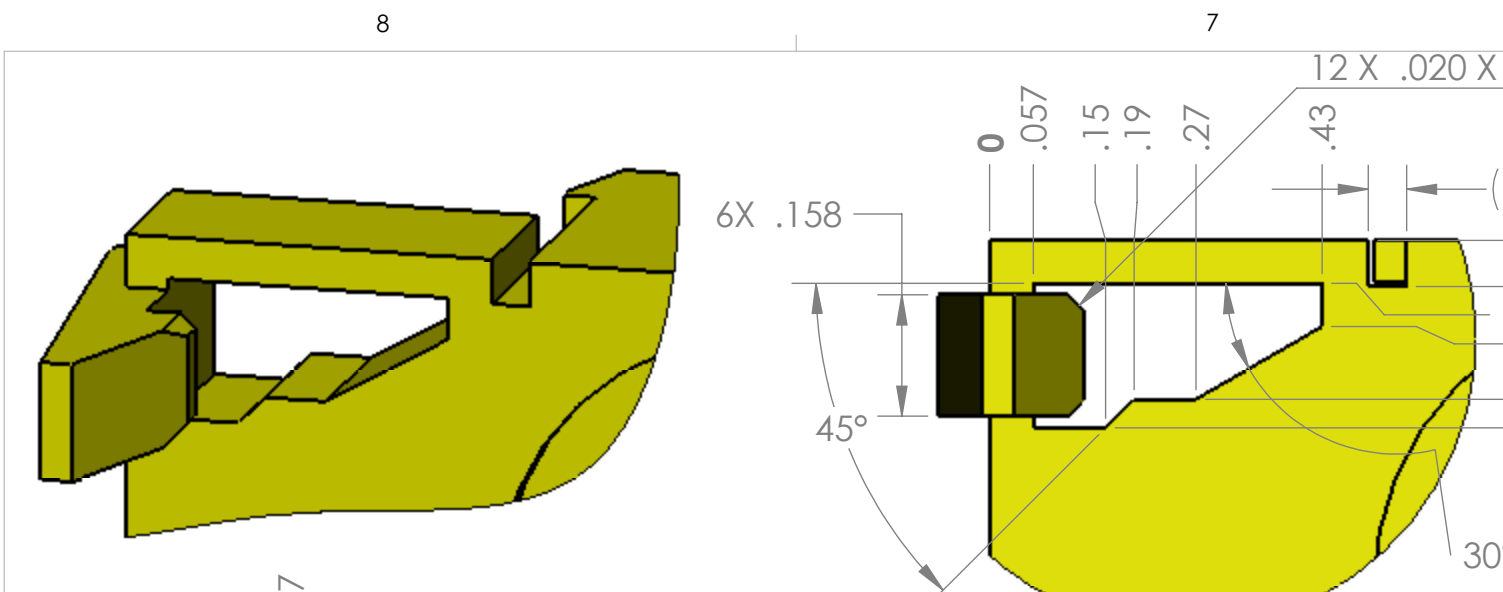
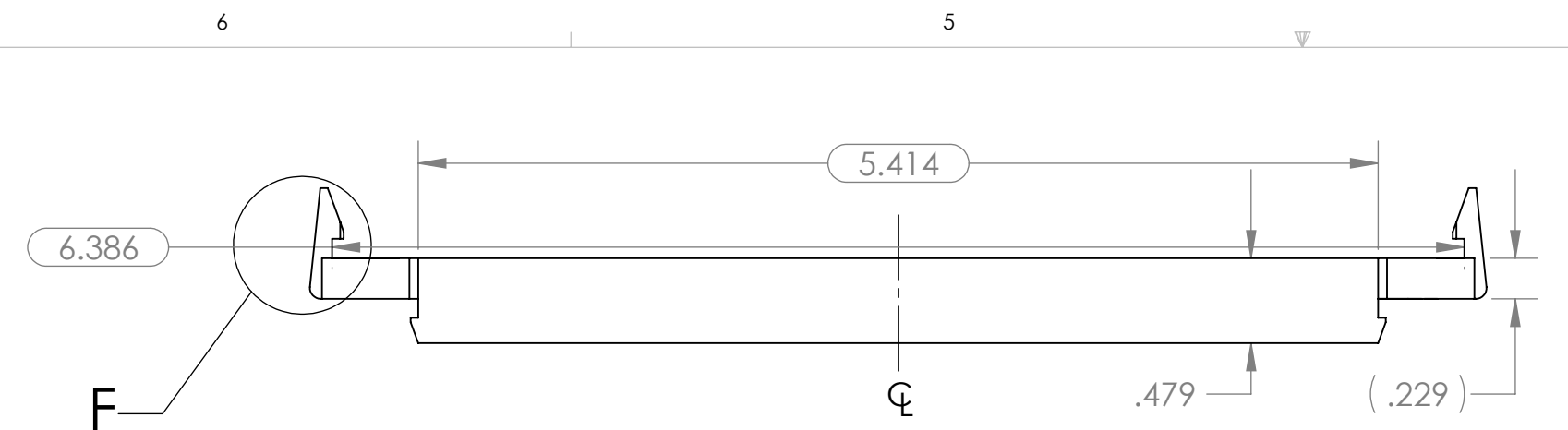


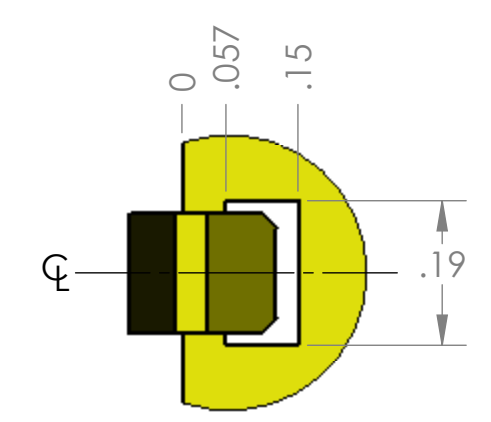
REVISIONS					
ZONE	REV.	DESCRIPTION	ECO	BY	DATE



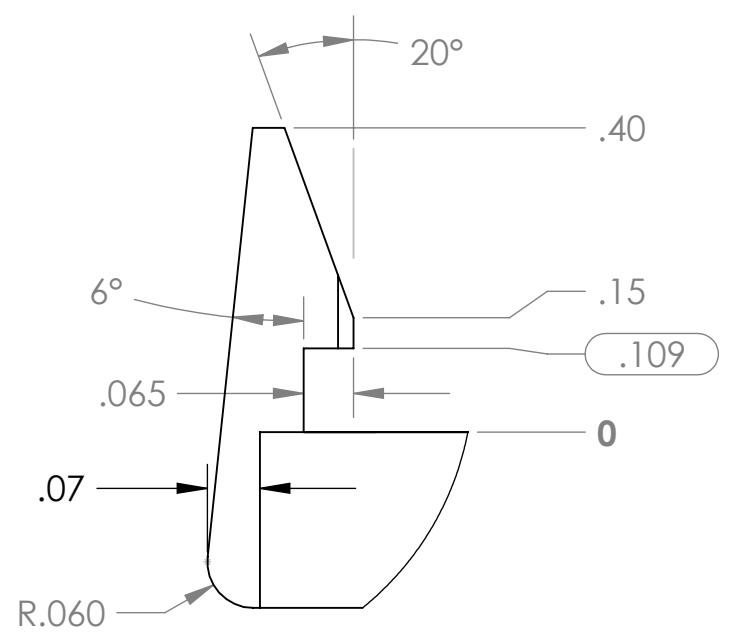
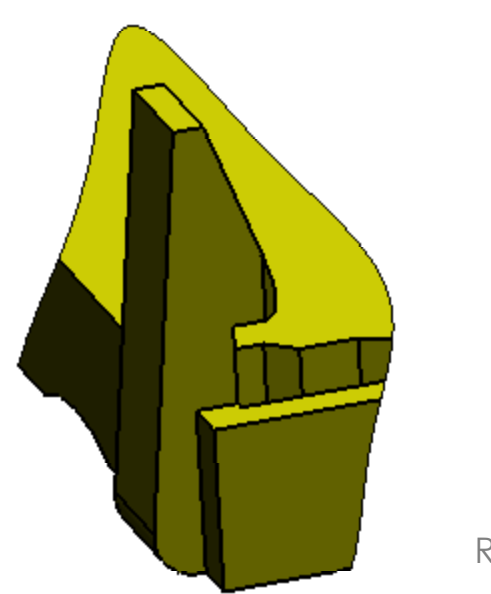
DETAIL A  
SCALE 4:1



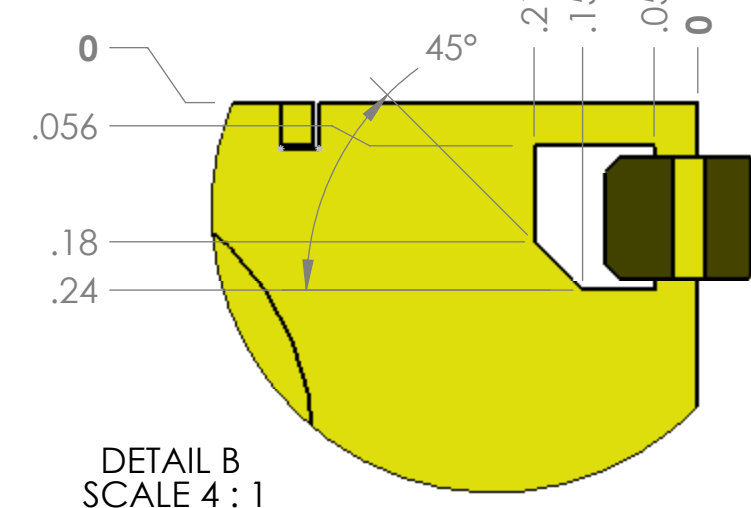
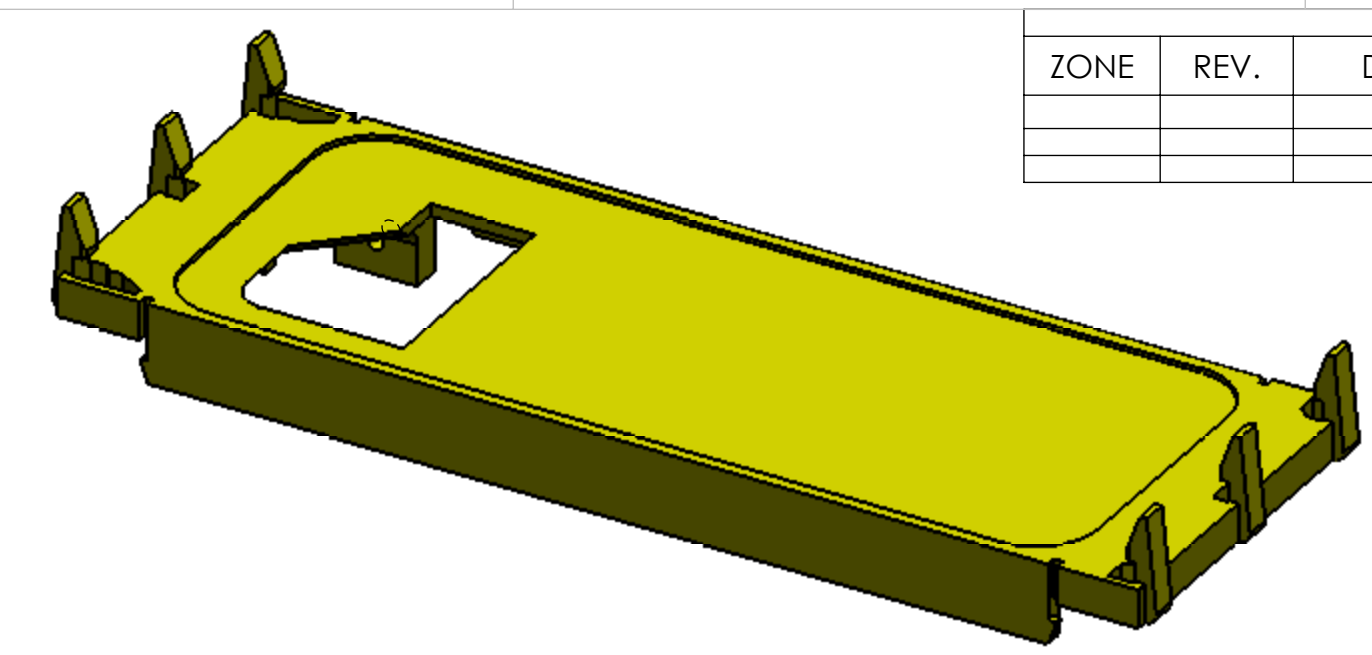
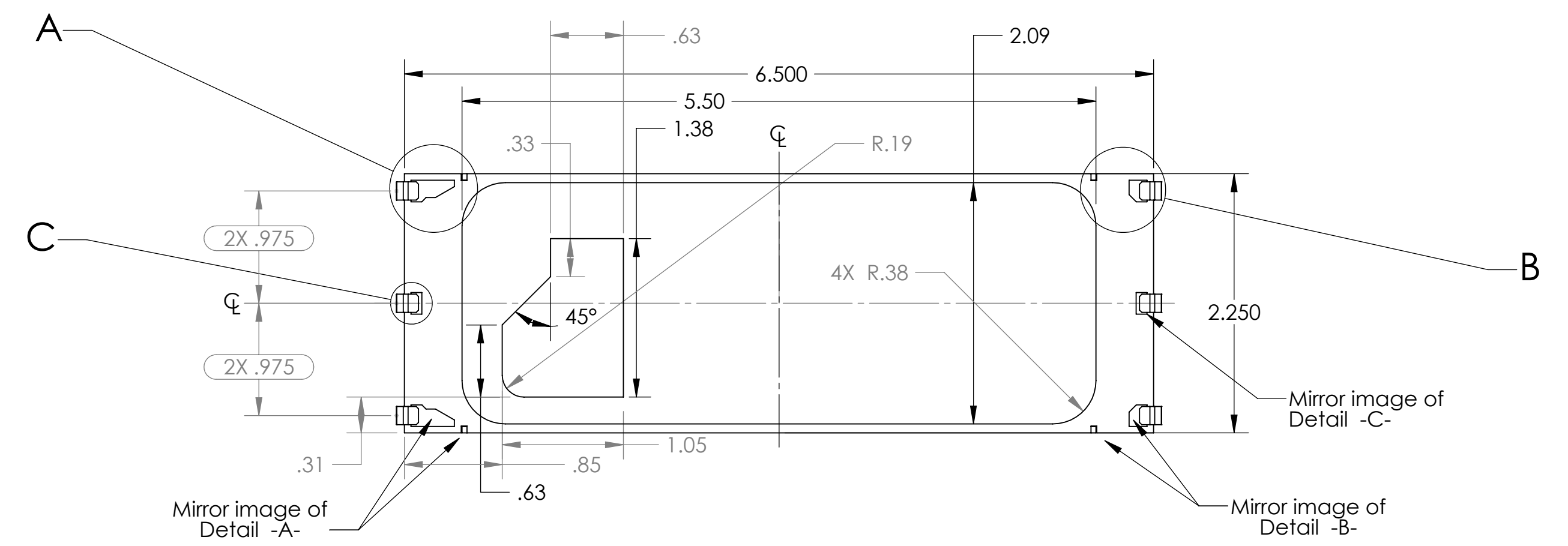
3X LEFT HAND SIDE AS SHOWN.  
3X RIGHT HAND SIDE- MIRROR IMAGE



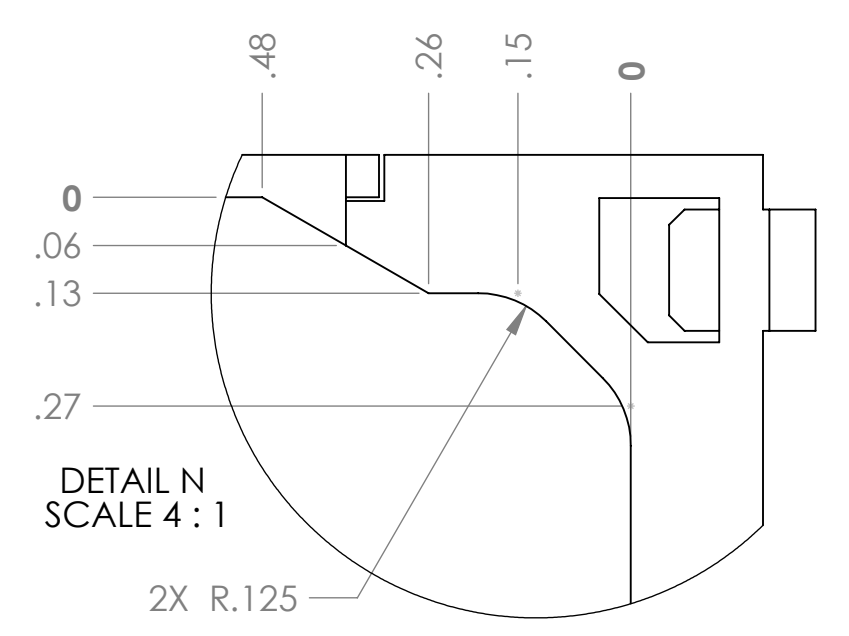
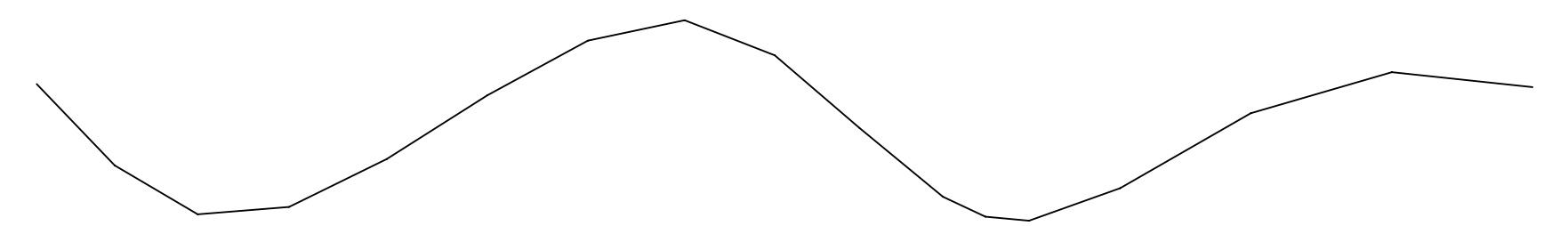
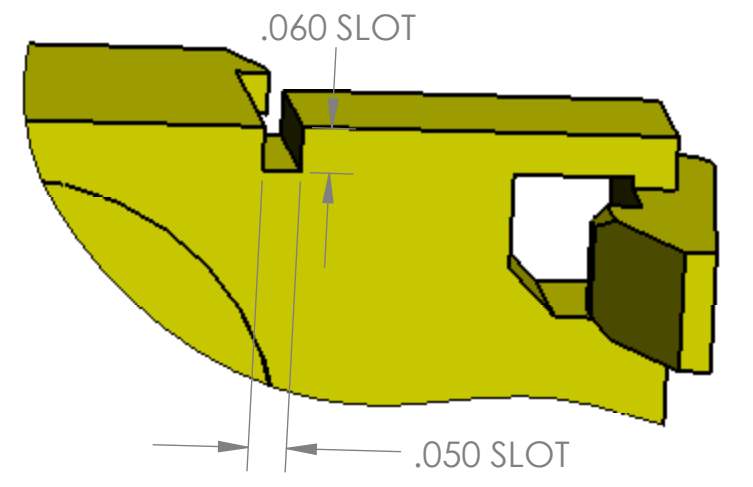
DETAIL C  
SCALE 4:1



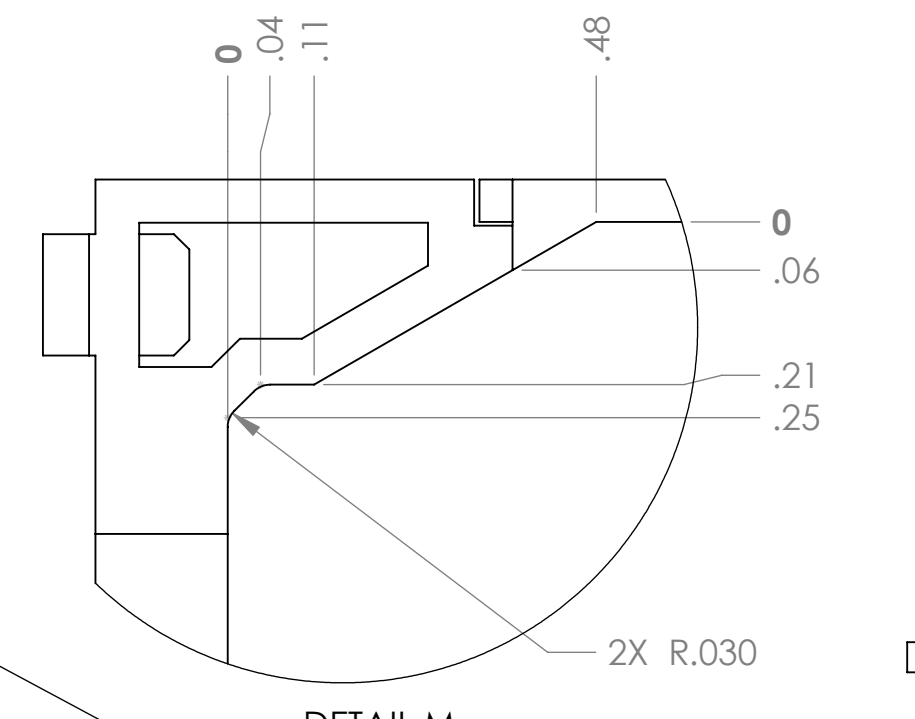
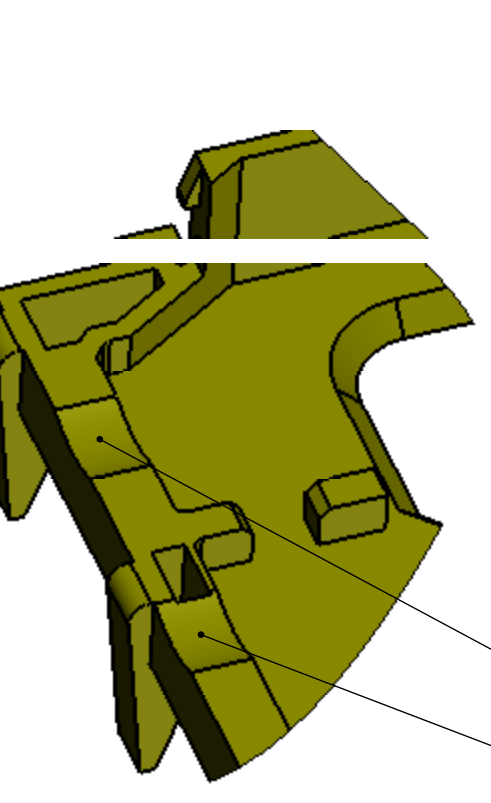
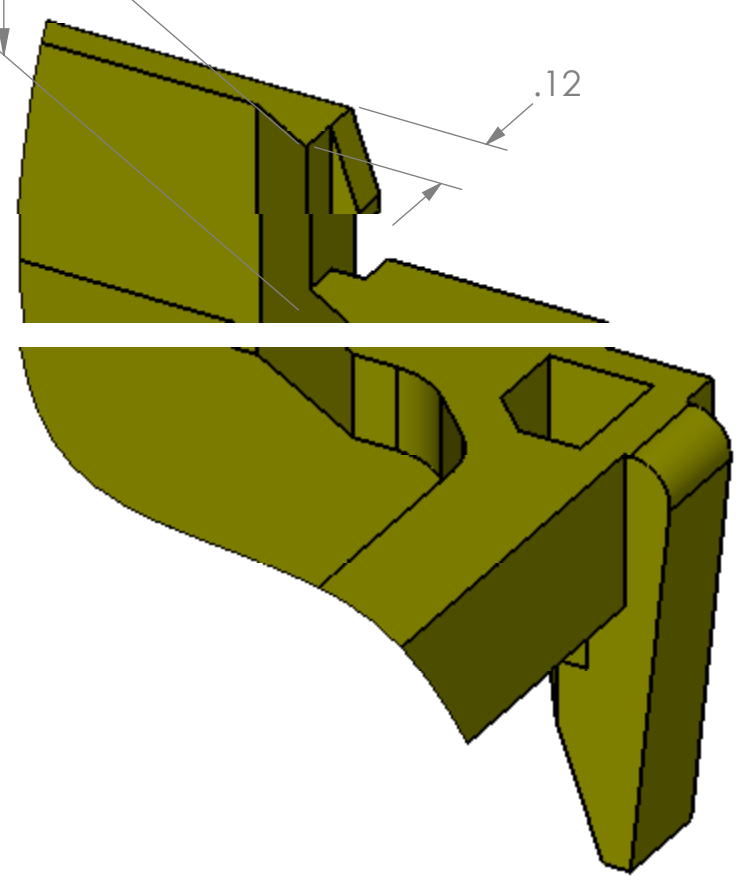
DETAIL F  
SCALE 4:1



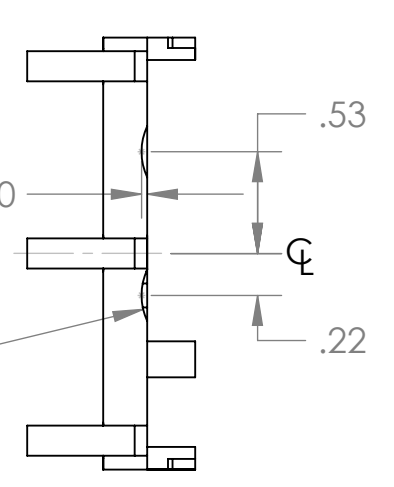
DETAIL B  
SCALE 4:1



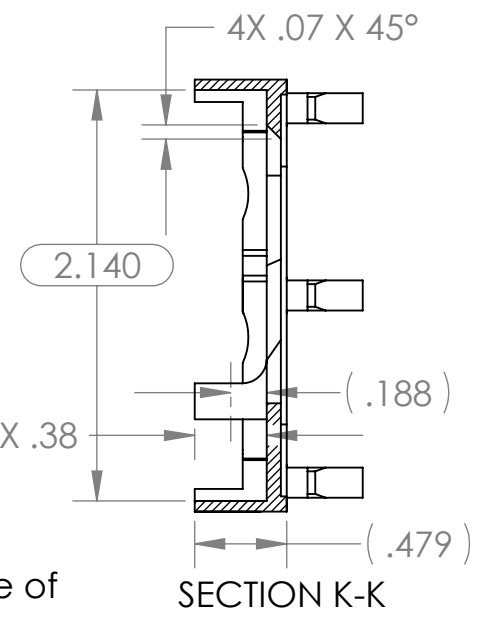
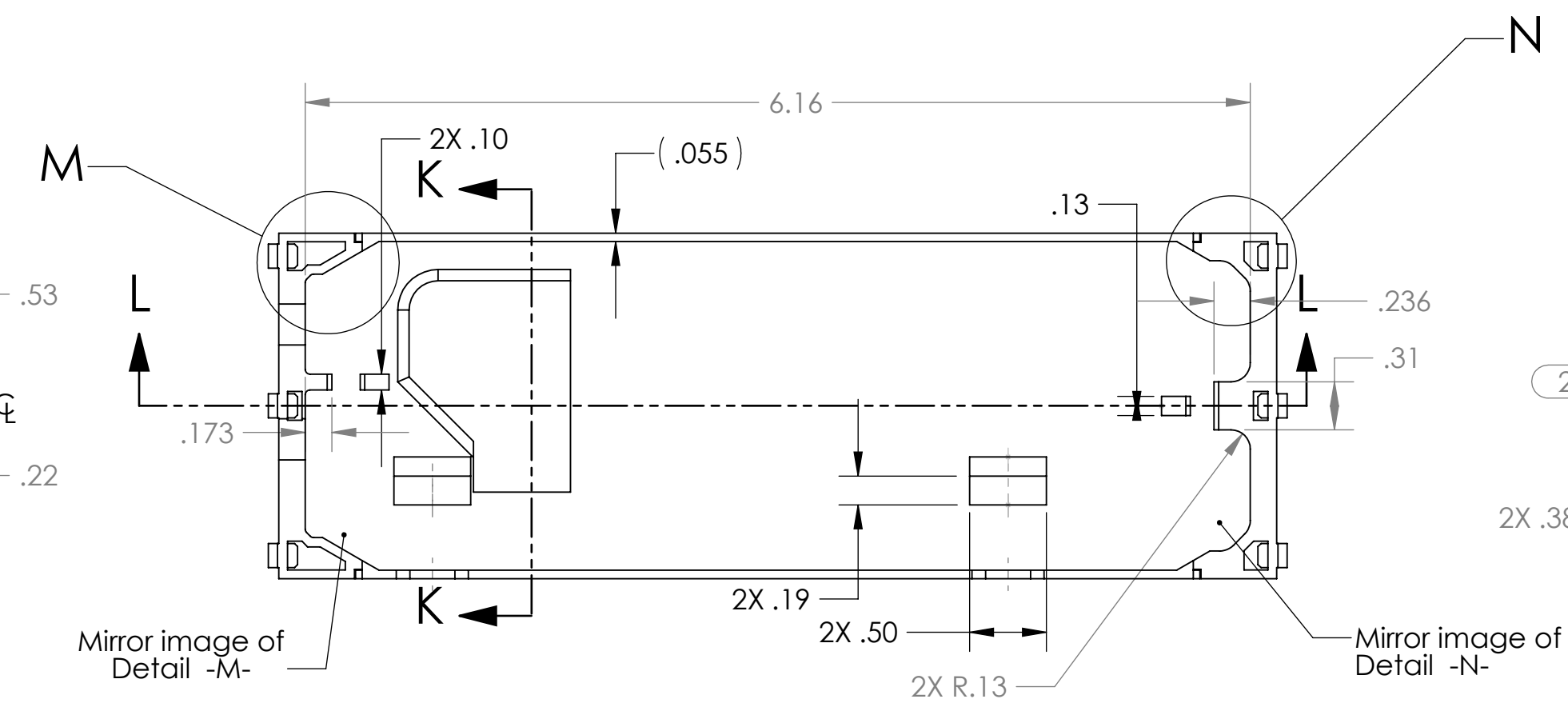
DETAIL N  
SCALE 4:1



DETAIL M  
SCALE 4:1

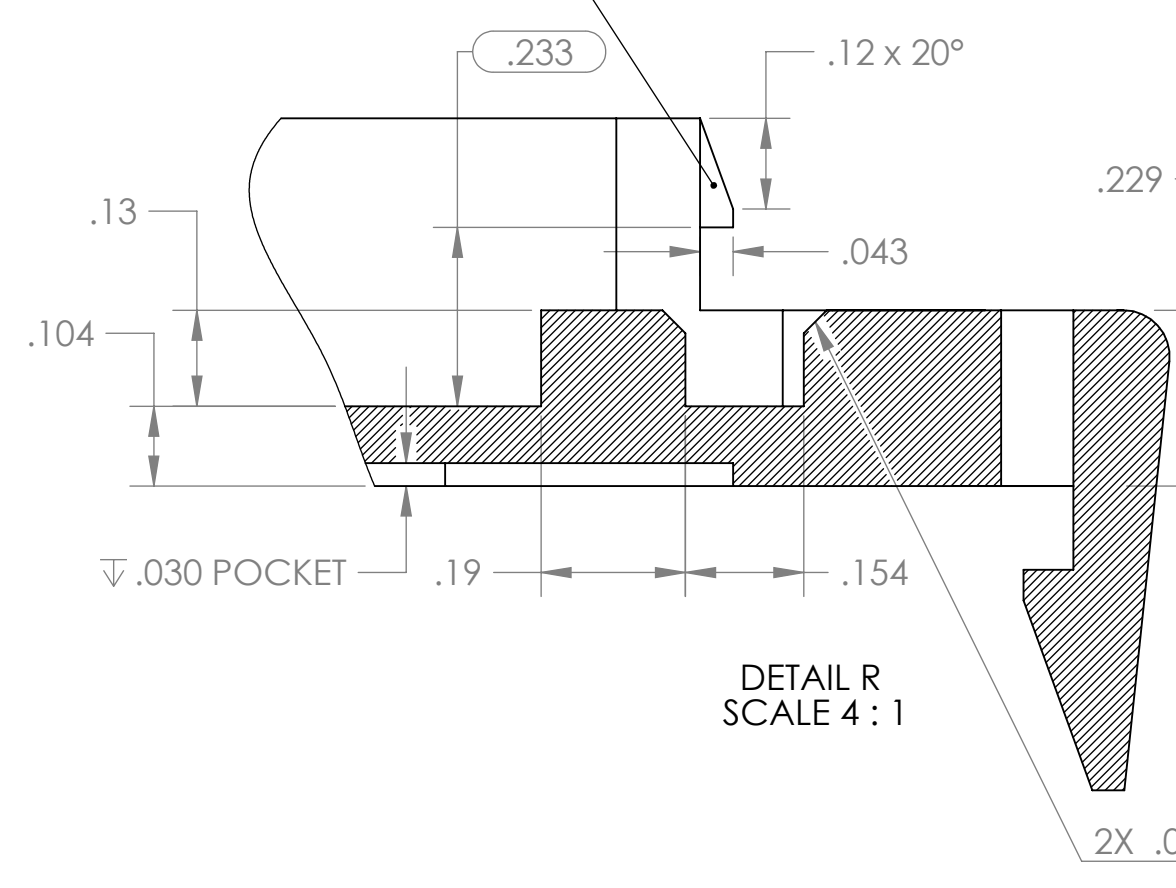


2X R.31  
THRU ONE WALL

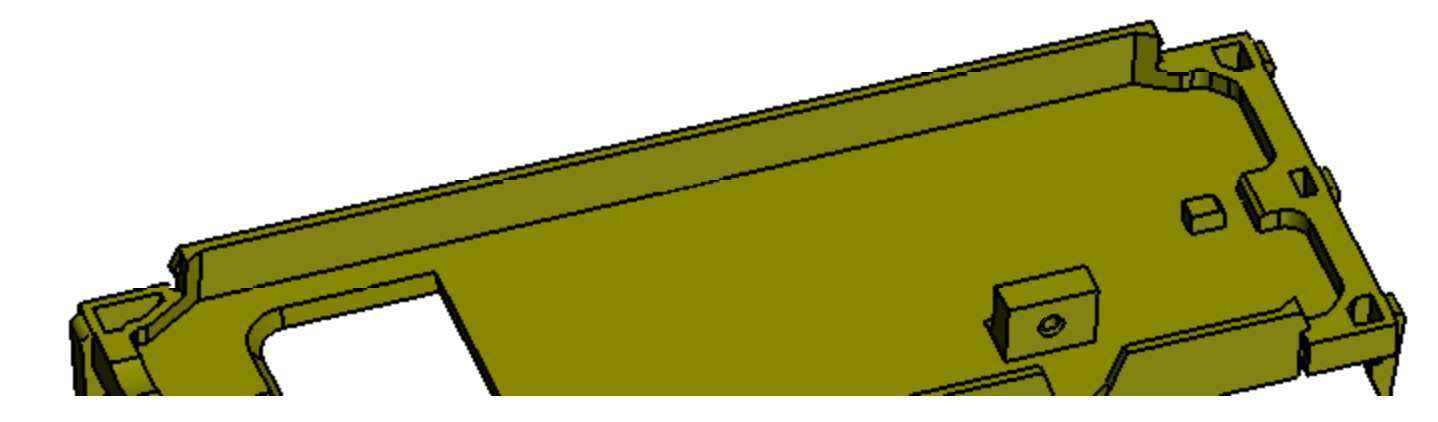


SECTION K-K

THIS FEATURE: 2X ON RIGHT  
HAND SIDE AS SHOWN.  
2X LEFT HAND SIDE- MIRROR  
IMAGE



DETAIL R  
SCALE 4:1



1. CRITICAL DIMENSIONS INDICATED BY **XXX**

NOTES: UNLESS OTHERWISE SPECIFIED

UNLESS OTHERWISE SPECIFIED:		NAME	DATE
.xx = ± .01		DRAWN	Mark Smith
xxx = ± .005"		ENG APPR.	
x/x = ± 1/64"		MFG APPR.	
= ± .5°		Q.A.	
BEND RADI 1/32"		COMMENTS:	
GD&T PER ANSI 14.5M			
THIRD ANGLE PROJECTION			
PROJECT: 100			
MATERIAL			
POLYCARBONATE			
FINISH			
NONE			

TITLE:  
ADAPTER, HEAT SINK  
BATH CONTROL

SIZE	DWG. NO.	REV
D	15152	X3

SCALE: 1:1 FILE: 15152\_X3 SHEET 1 OF 1  
Printout Date: Friday, March 28, 2008